

DW8522 MR16 EVB Manual

Dongwoon Anatech
R&D Division

March 5, 2010

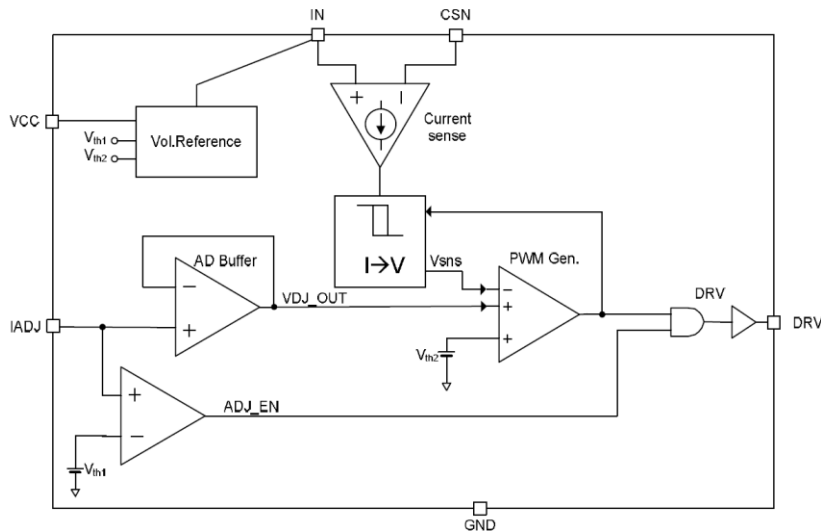
Features

- Topology : Hysteric buck controller
- Input voltage : 4.5 ~ 40V
- Dimming Frequency : PWM (1:1000) and Analog dimming
- Switching frequency : Up to 2MHz
- Protection function : Soft-Start, Thermal protect

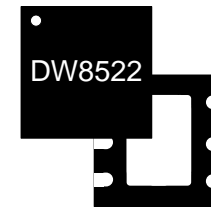
Applications

- MR16 Lighting
- Offline LED lamps and fixtures
- Signage and Decorative lighting
- General purpose LED lighting

Block Diagram

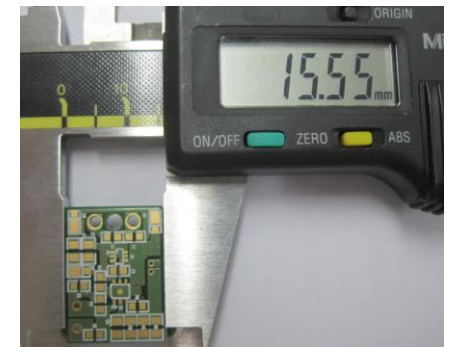
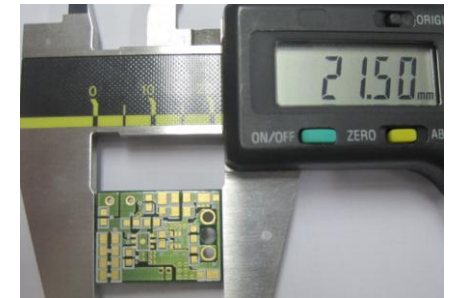
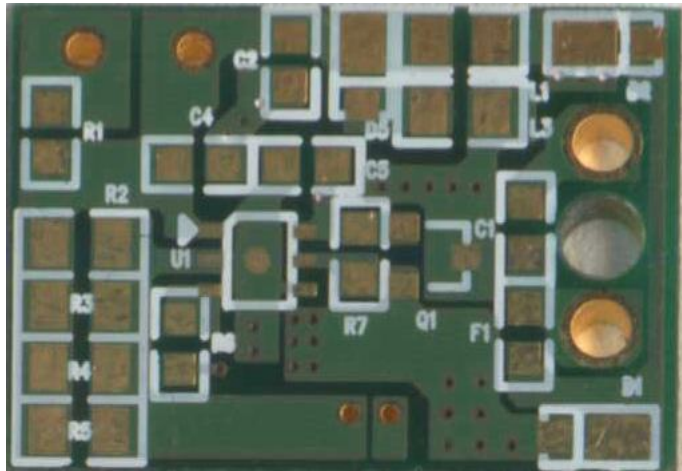


Package



8 TDFN
(3 × 3 × 0.75)

Promotion Board

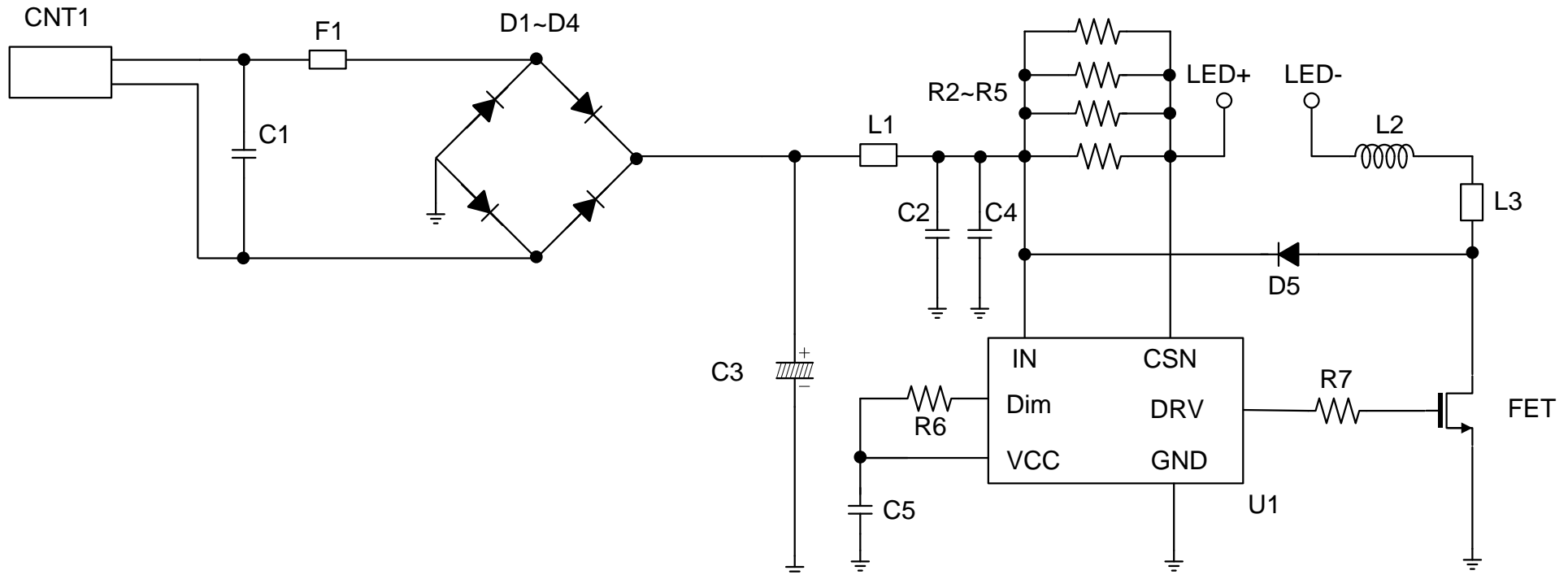


PCB Size : 21.5mm x 15.55mm

Pin Description

Pin	Name	Description
1	IN	Supply voltage Input. (4V to 40V). Decouple to GND with 1uF or higher value capacitor
2	CSN	Current sense input. Connect a resistor between IN and Sense.
3	IADJ	PWM/Analog dimming input. If not use dimming function, connect with VDD.
4	GND	Ground
5	OUT	Gate drive output.
6	VDD	Regulator output. Decouple to GND with 1uF.

Promotion Board circuit



Current setting method : $0.2/R$ $R=(R2//R3//R4//R5)$

$R: 1\text{ohm} \rightarrow 200\text{mA}$, $R:0.5\text{ohm} \rightarrow 400\text{mA}$, $R: 0.25\text{ohm} \rightarrow 800\text{mA}$

Real circuit

